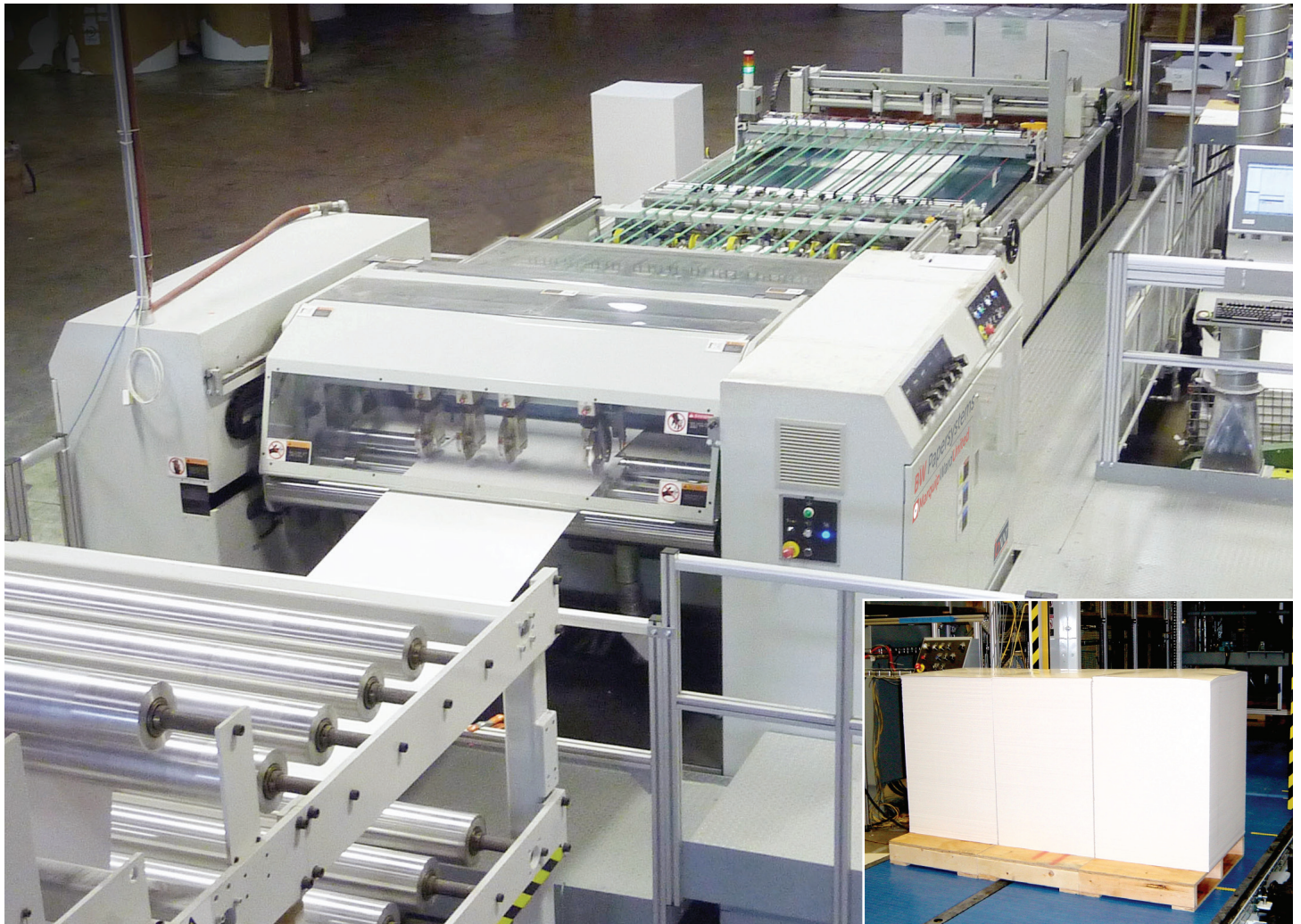


SheetWizard



Features

- Dual rotary knife technology in a very economical standardized package, with superb cut quality up to 1000 gsm
- Maximum speed of 335 mpm (1100 fpm) with curve optimized for digital sheet sizes
- Compact design utilizing an integrated slitter, draw roll, knife cylinders, and outfeed tape belt
- Advanced overlap system for faster speeds with reduced marking
- Versatility to handle a full range of paper and board products. Automatic pallet change
- IEC 61131-3 PC-based control system

SheetWizard

Flexible and cost effective configurations to suit many converters, folding carton plants and mills. The SheetWizard can run both paper and board and provides MarquipWardUnited's superior cut quality and accuracy.

Superior Knife Performance

The MarquipWardUnited SheetWizard is designed around the unique dual-rotary knife. Tangentially mounted blades on the knife reduce the unsupported blade length, increasing blade stiffness for 1000 gsm loading. Helical the blades can be sharpened while in the machine, providing cleaner cuts and extending blade life. Power consumption is substantially lower than conventional dual rotary machines.

Flexibility

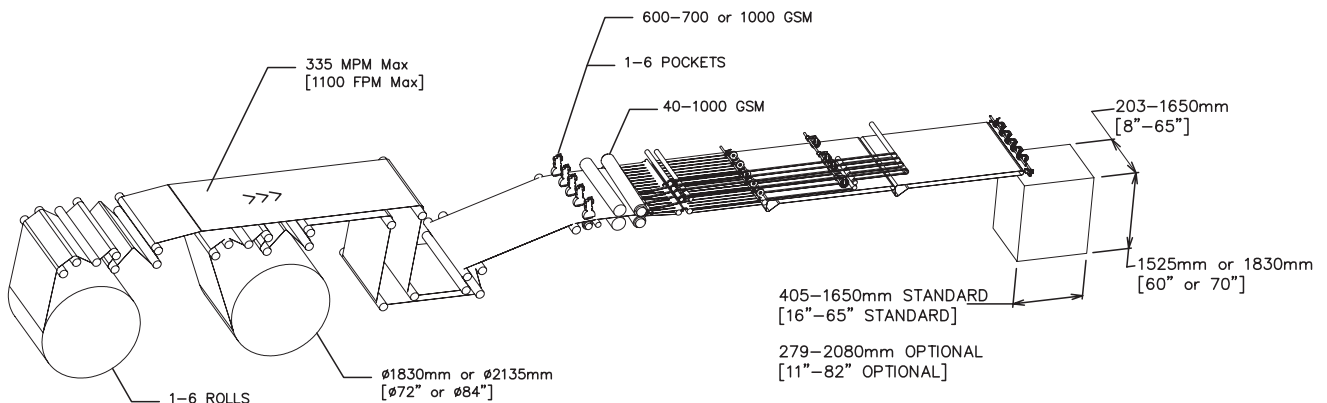
- Delivery options such as vacuum sheet tail arrest and driven soft nip snubber tapes deliver sensitive materials at higher speeds without surface marking.
- Sheets materials from 24 gsm (12 lb.) - 1000 gsm (48 pt.)

Standard Features:

- Knife cylinders designed for higher speeds on short sheets
- 460 mm (18 in) diameter pull roll system on multi-web applications
- PC based control system with menu storage and remote diagnostics
- Liquid cooled motor and drives using less power and creating less noise

Options Including:

- Programmable decurling
- Automatic tension control
- Digital assist or automatic slitter setting
- Web Cleaning
- Cut to register
- Twin cut technology for high speed digital sheeting
- Quick set up for rapid changes
- Advanced overlapping for reduced sheet marking
- Automatic pallet change enables the MarquipWardUnited SheetWizard to be configured for the widest range of sheeted applications
- Offset skid stacking



BW Papersystems

1300 North Airport Road
Phillips, WI 54555 USA

t. +1 (715) 339-2191
bwpapersystems.com